



OUTDOOR BUILT-IN SINK

INSTALLATION INSTRUCTIONS & OWNER'S MANUAL



Sink shown here with Fire Magic faucet (not included but available separately)

INSTALLER: Leave these instructions with consumer.
CONSUMER: Retain for future reference.

IMPORTANT: READ THESE INSTRUCTIONS CAREFULLY BEFORE STARTING INSTALLATION OR USE

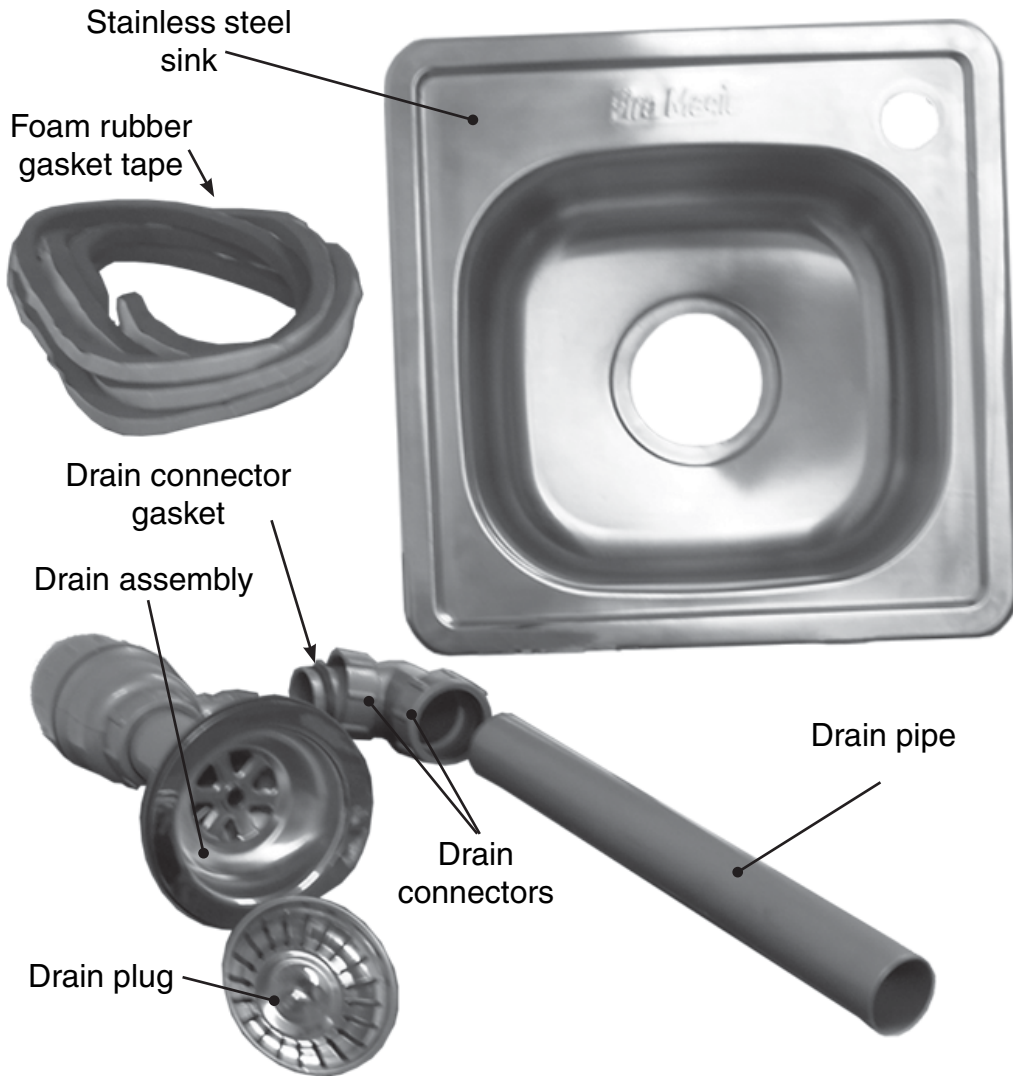


Table 1 - Model Specifications Table

| Specification | Value |
|--------------------------------|---------------|
| Counter opening width | 14" (35.5 cm) |
| Counter opening length | 14" (35.5 cm) |
| Vert. clearance below counter* | 17" (43.2 cm) |
| Counter overlap beyond cut-out | 1/2" (1.3 cm) |

* minimum dimension

PARTS LIST



Hardware Kit

Contact your local Fire Magic dealer for parts or upgrades.

WARRANTY

PLEASE COMPLETE AND RETURN YOUR REGISTRATION CARD, WHICH IS INCLUDED WITH YOUR BARBECUE

LIFETIME WARRANTY - Fire Magic cast stainless steel burners, stainless steel rod cooking grids, and stainless steel housings (including liners, frames, ovens, and barbecues faces) are warranted for as long as you own your Fire Magic barbecue.

FIFTEEN YEAR WARRANTY - Fire Magic cast brass burners, brass valves, backburner assemblies (except ignition parts), manifold assemblies, and porcelain hoods and faces are warranted for 15 years from the date of purchase of your Fire Magic barbecue.

THREE YEAR WARRANTY - Fire Magic sideburners and all other Fire Magic barbecue components (except ignition and electronic parts) are warranted for 3 years from the date of purchase of your Fire Magic barbecue.

Fire Magic ignition systems, electronic components (including lights and thermometers), and barbecue accessories are warranted for one year from date of purchase.

PLEASE KEEP A COPY OF YOUR SALES SLIP FOR PROOF OF PURCHASE

This warranty applies to the original purchaser with invoice or proof of purchase and covers Fire Magic products intended for personal, family, or household usage only. It does not apply to rust, corrosion, oxidation, or discoloration, which may occur due to moisture or overheating, unless the affected component becomes inoperable. This warranty does not cover parts becoming defective by misuse, accidental damage, improper handling, and/or installation. It does not cover labor or labor related charges. It specifically excludes liability for indirect, incidental or consequential damages. Some states do not allow the exclusion or limitation of incidental or consequential damages, so the above exclusion may not apply to you. This warranty gives you specified legal rights and you may have other rights, which may vary from state to state.

For additional information regarding this warranty, or information on how to place a warranty claim, contact your authorized Fire Magic dealer.

ROBERT H. PETERSON CO. • 14724 East Proctor Avenue • City of Industry, CA 91746

INSTALLATION

Counter cut-out dimensions for sink

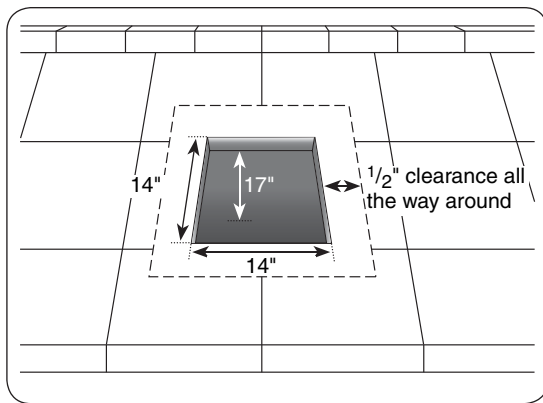


Fig. 3-1

Attaching the foam rubber liner

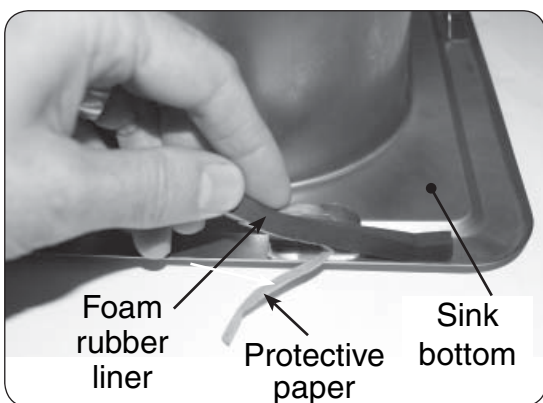


Fig. 3-2

Drain assembly detail

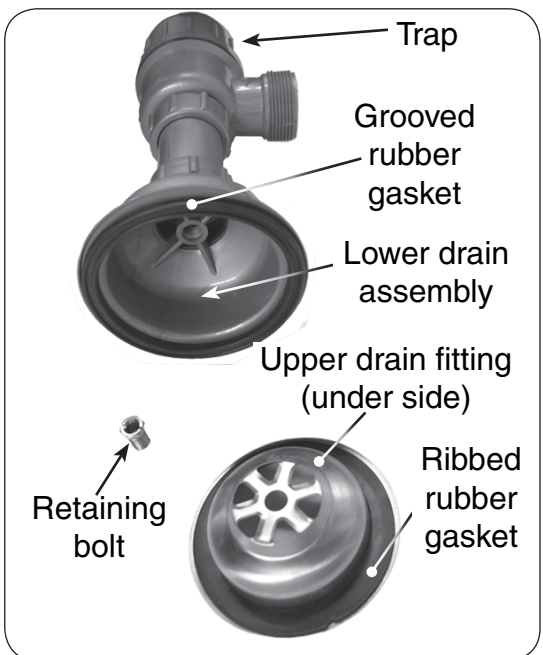


Fig. 3-3

PREPARING FOR INSTALLATION

This product is intended to be used as an outdoor sink and must be installed by a licensed professional plumber according to all applicable local codes.

Prepare a cut-out in the countertop as specified in Table 1 and shown in Fig. 3-1. There must be a minimum of 1/2" overlap of the stainless-steel hanger plate on all sides of the opening. The countertop must be completely level for safe and effective operation of this appliance.

Provide for access beneath the sink before and after installation to allow for proper maintenance. Allow for adequate water line and drain connections.

Attaching the foam-rubber liner

1. Turn the sink up-side-down on the countertop or other work surface. Locate the foam-rubber gasket and begin to peel the protective paper off of one end to expose the adhesive side of the liner.
2. Attach the adhesive side of the foam rubber liner around the under side of the sink lip (see Fig. 3-2).

Installing the drain assembly in the sink bottom

1. Remove the retaining bolt from the center of the drain opening using a 9/16" socket or nut driver.
 2. Separate the upper stainless-steel drain opening from the remainder of the drain assembly, keeping one rubber gasket on each stainless-steel part.
 3. Turn the sink on its side.
 4. Insert the stainless-steel opening into the hole in the bottom of the sink with the ribbed gasket between the metal of the sink and the fitting.
 5. Hold the lower drain assembly against the bottom of the sink and line it up with the drain hole. Place the the grooved rubber gasket between the lower drain assembly and the bottom of the sink so that the grooved side points up toward the sink bottom.
- Note:
Use rubber rings to seal drain compression fittings.

Connecting the clip to the sink

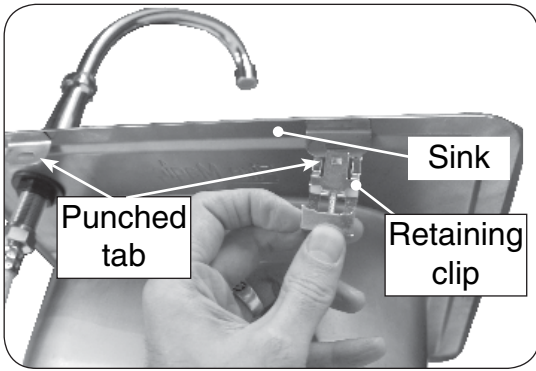


Fig. 4-1

Sink anchor clip close-up inverted

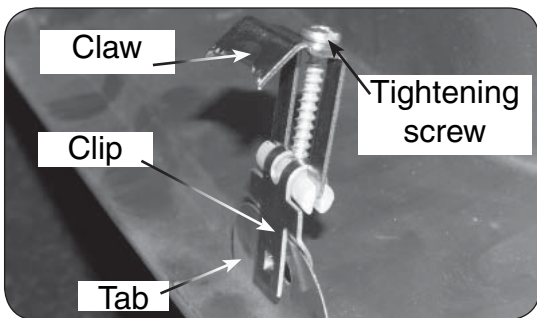


Fig. 4-2

Cleaning out the drain trap under the sink

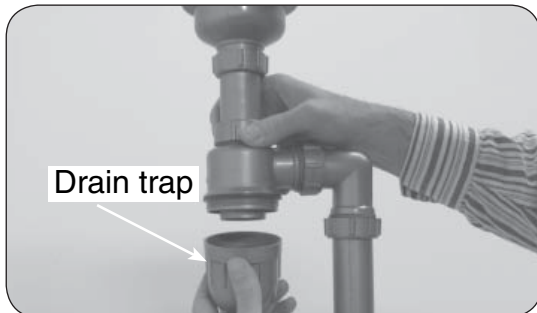


Fig. 4-3

Always wipe with grain



Fig. 4-4

INSTALLING THE BUILT-IN SINK

1. After application of any silicon sealant, lower the sink into the counter cut-out with the Fire Magic logo toward the back.
2. From underneath the counter, connect the six (6) anchor clips to the six (6) punched tabs around the outside of the sink by snapping the clips into place as shown in Fig. 4-1.
3. Hook each clip claw under the inside bottom of the counter and tighten the screw until there is enough tension to hold the sink firmly down against the counter (see Fig. 4-2).
4. Insert plumbing fixtures or plugs into the openings in the top of the stainless steel sink.
5. Plumb faucet and drain as required by installation.
6. Install drain plug in sink drain.

DRAIN MAINTENANCE

The sink drain assembly is equipped with a removable trap for larger food particles. This prevents larger food particles from entering and blocking the drain plumbing. Regularly check the drain trap and clean out any foreign matter it contains to help keep the drain functioning at its best. To remove the drain trap simply unscrew it from the bottom of the drain assembly (see Fig. 4-3).

CARE AND CLEANING

This sink has a stainless steel finish. Use a standard non-abrasive kitchen cleaner for basic cleaning or a quality stainless-steel cleaner if heavy cleaning is required.

CARE OF STAINLESS-STEEL

Clean the sink with a quality stainless-steel cleaner at least once a month, following the instructions on the cleaner. Always rub stainless steel in the direction of the grain (see Fig. 4-4).

In a humid environment, due to the nature of stainless steel, iron oxide deposits may appear. This is normal and usually due to tiny pieces of metal dust sitting on the surface. Such deposits are removable using stainless steel cleaner.